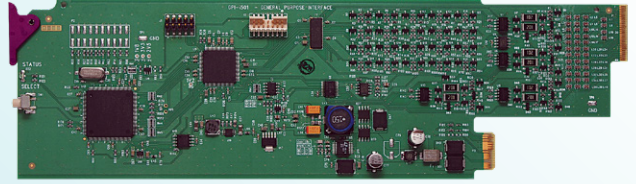


GPI-1501

GPI I/O Module



Space-saving, modular platform for advanced signal processing.

The GPI-1501 from Grass Valley® is a 2 RU Densité card which provides 20 dedicated general purpose interface (GPI) inputs plus eight terminals that can be individually configured, either as a GPI input or GPI output.

When paired with a GV Orbit® or iControl application server, the GPI-1501 provides alarm aggregation from older devices that do not offer Ethernet port connectivity. The application server can report alarm

status information to operators via GV Orbit, iControl or SNMP. It can also trigger external events, such as selecting an alternate source.

The card can also interface with automation systems via its GPI outputs for the control of legacy devices. Each incoming GPI is time stamped with incoming timecode, or using its own internal clock for accurate logging and report generation.

The GPI-1501 is also very useful in unmanned locations to report environmental anomalies when connected to GPI equipped sensors (intrusion, high humidity, temperature, smoke, etc). Multiple GPI-1501 cards can be ganged together to meet the requirements of larger installations.

Key Features

- Provides GPI alarm aggregation for older devices, bridging the gap to modern IP enabled control systems
- Interfaces seamlessly with most automation systems
- Alarm aggregation of virtually any GPI enabled device
- Scalable to address large systems
- Time stamped events for accurate logging and root cause analysis
- 20 dedicated GPI inputs and 8 individually configurable as GPI I/O per card
- SMPTE ST 12 LTC timecode input
- SNMP support (status reporting) through a GV Orbit or iControl application server
- Accurate internal clock with NTP protocol support

Specifications

GPI In

Connector: DB-44
Number of input: 20 opto-isolated
Pull-up voltage: 2.3V
Source current: 2 mA when input shorted
Low level activation: 0.8V max
Over voltage: 25V max
Pulse duration: 8 ms min

GPI Bidirectional

Connector: DB-44
Number of I/O: 8

Input Mode

Pull-up voltage: 2.3V
Source current: 2 mA when input shorted
Low level activation: 0.8V max
Over voltage: 25V max
Pulse duration: 8 ms min

Output Mode

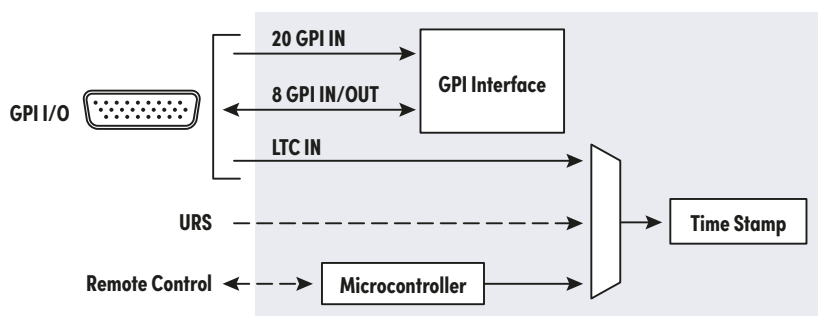
Contact closure current: 50 mA max
Reverse voltage: -15V max
Reverse current: -50 mA max
V out low: 0.6V at 1.5 mA

LTC Signal

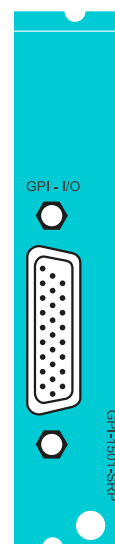
Connector: Sharing input 20 of DB-44 GPI's connector
Signal type: Unbalanced as per SMPTE ST 12 date and time as per SMPTE ST 309

Electrical

Power: 1W



GPI-1501 Functional Block Diagram



GPI-1501-SRP

Ordering

Densité 2 frame

GPI-1501
GPI-1501-SRP

Option

GPI-1501-TBA
Remote control

Densité 3 frame

GPI-1501-3RU
GPI-1501-SRP-3RU
GPI-1501-RP-FR1

Description

GPI I/O terminal block adapter
 GV Orbit, iControl, iControl Solo

Description

GPI I/O module
 Single rear connector panel
 Rear panel for the GPI-1501 when use in the Densité 3+ FR1

This product may be protected by one or more patents. For further information, please visit: www.grassvalley.com/patents

DS-PUB-3-0382A-EN

Grass Valley®, GV® and the Grass Valley logo are trademarks or registered trademarks of Grass Valley USA, LLC, or its affiliated companies in the United States and other jurisdictions. Grass Valley products listed above are trademarks or registered trademarks of Grass Valley USA, LLC or its affiliated companies, and other parties may also have trademark rights in other terms used herein. Copyright © 2014, 2023 Grass Valley Canada. All rights reserved. Specifications subject to change without notice.

www.grassvalley.com Join the Conversation at GrassValleyLive on [Facebook](#), [Twitter](#), [YouTube](#) and Grass Valley on [LinkedIn](#)